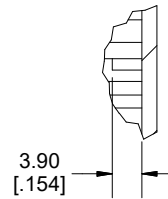
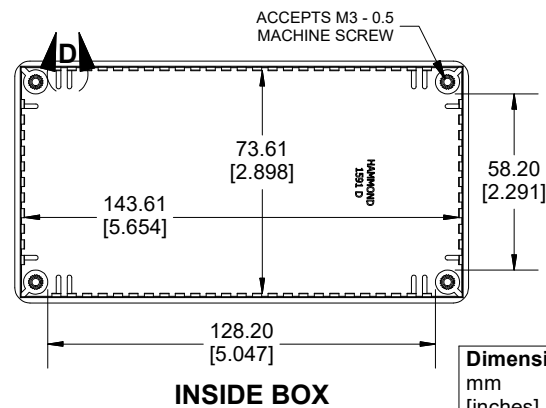
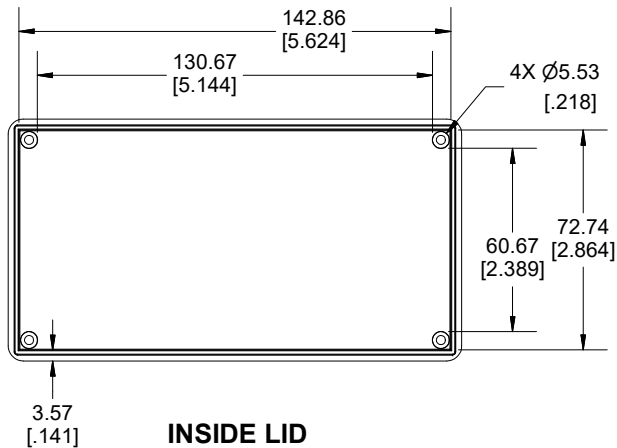
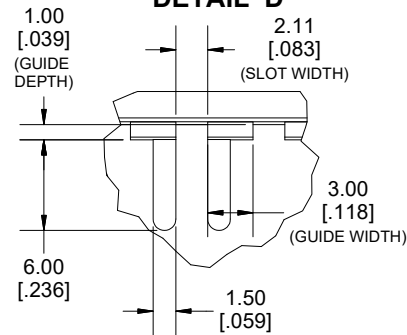


**DETAIL C**



**DETAIL D**



Enclosures can be Factory Modified (Milling, Drilling, Printing etc.)  
 Contact Factory (modshop@hammfg.com) for quotes  
 Solid models of this enclosure available in .stp or .x\_t  
 (Part number and text placement/orientation on our products are subject to change,  
 we do not recommend using them as a locating reference for modification purposes)

<b>NOTE</b>	
Purchased assembly includes box, lid, 4 cover screws, and pre-installed brass inserts.	
Enclosure made from FRABS.	
<b>Recommended Torque: 35.5-42.5 ozf.in (25-30 cN.m)</b>	

<b>PART NUMBERS</b>		
1591D Enclosure		
Material	Colour	Part Number
<b>FR ABS UL94 -V0</b>	Beige	1591DBG
	Black	1591DBK
	Blue	1591DBU
	Grey	1591DGY
Accessories		
Plated Cover screw M3 - 0.5 X 10mm (100Pkg)		1591MS100 (Silver) 1591MS100BK (Black)
PC Board Card Adapters		1591Z6 (6Pkg) 1591Z50 (50 Pkg) 1591Z100 (100Pkg)
	Nylon Belt / Pocket clip	1599CLIP (Black) 1599CLIPGY (Grey)
	Clear Lids - Flame Retardant Polycarbonate - Lid ONLY	1591DC

**HAMMOND  
MANUFACTURING.**  
**1591D**  
www.hammondmfg.com

Dimensions:  
mm  
[inches]